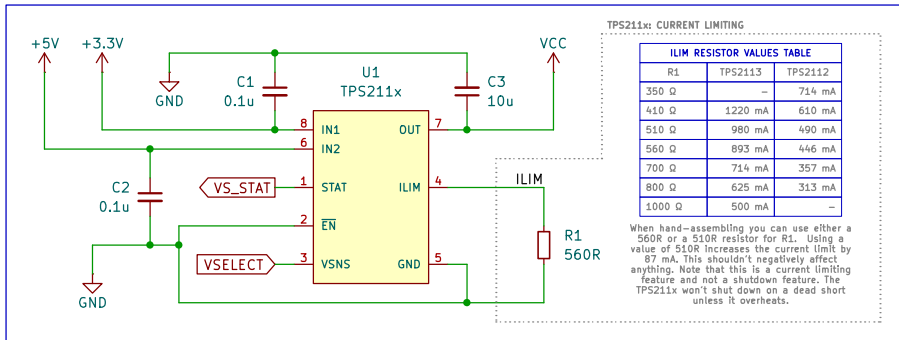
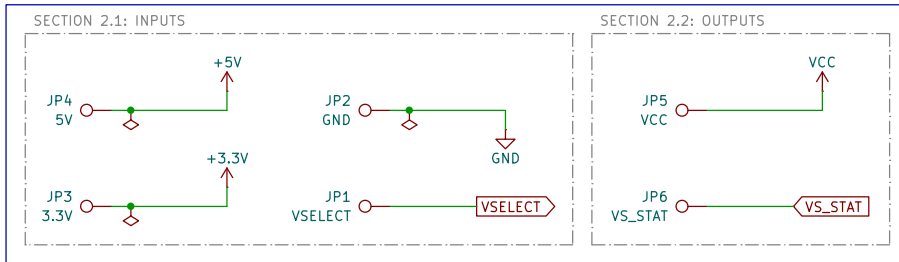


### SECTION 1: VOLTAGE SELECT



### SECTION 2: JUMPERS



Sheet: /

File: VSelect.kicad\_sch

**Title: OSCR Automatic Voltage Selection Module (VSELECT)**

Size: A4 Date: 2024-08-27

Rev: 3

KiCad E.D.A. 8.0.3

Id: 1/1